

gako UV-C Air Sterilizer

User Manual



gako

Table of Contents

1. Performance and Main Features	4
2. Application area	4
3. Bactericidal Factors and Strength	4
4. Microbial Category	4
5. Technical Parameter	4
6. Functions and Use	5
6.1 Graduation	5
6.2 Operation	5
7. Attention	5
8. Trouble Shooting	6
9. Maintenance	6
10. Warranty	6
11. Service	6
12. Transportation and Storage	6
13. Circuit Diagram	7

1. Performance and Main Features

gako UV-C Air Sterilizer is a device designed for air disinfection using high-intensity germicidal lamps, a method that can be used for safe disinfection of environments where health professionals, patients, students, and people in public places are exposed to contagious risk factors.

2. Application Areas

gako UV-C Air Sterilizer is suitable for dynamic indoor air disinfection in pharmacies, medical examination cabinets, waiting rooms, hospitals, food, beverage and pharmaceutical factories, restaurants, schools, universities, or any other environment with constant people circulation and potential contamination risk.

3. Bactericidal Factors and Strength

The main bactericidal factor used is ultraviolet irradiation (UVC) through short wavelength ultraviolet. The UV lamps in the **gako UV-C Air Sterilizer** device meet the technical requirements achieving 254nm wavelength.

4. Microbial Category

Germicidal lamp is a special type of lamp that produces UVC light. This short wave ultraviolet light disrupts DNA base pairing, causing formation of pyrimidine dimers and leads to the inactivation of microorganisms such as bacteria, virus and protozoa.

5. Technical Parameter

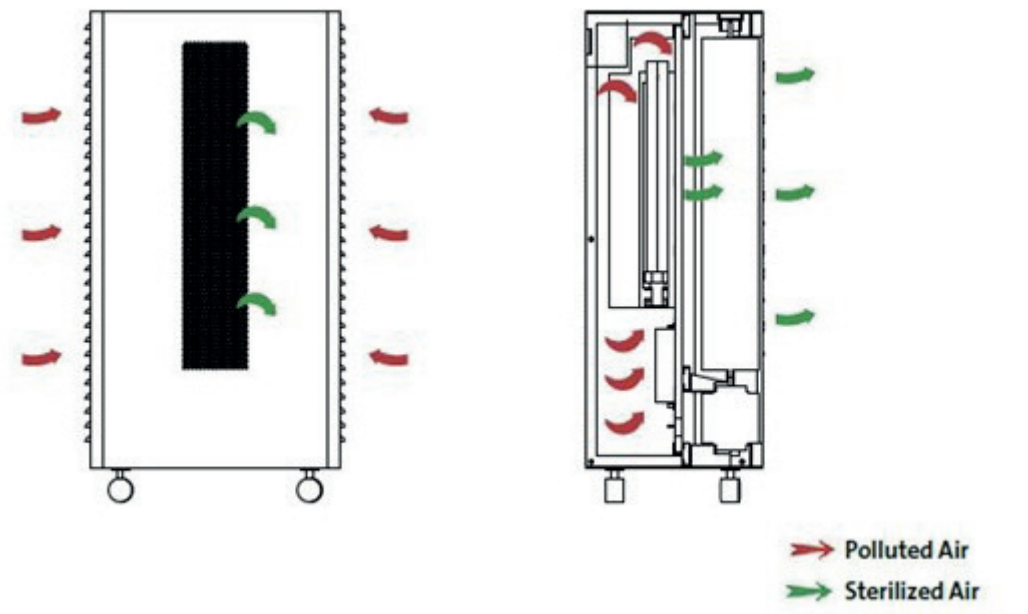
Model	gako UV-C Air Sterilizer
Power Supply	1AC220V±10%; 50/60Hz
Temperature	-10°C ~ 40°C
Humidity	≤ 80%
Air Pressure	600hpa ≈ 1060hpa
Applicable Room	≈ 80m ³
Circulating Air Volume	≥ 800m ³ /h
UK Leakage	≤ 5μw/cm ² (30cm from the device)
Noise	≤ 55db
Consumption	≤ 260W

Table 1.0: Technical Parameter gako UV-C Air Sterilizer.

According to the electric shock protection, product classifies as: Class II, Type B, general equipment. CE Certified.



6. Functions and Use



6.1 Graduation

No need of extra installation. Electrical connections are fully insulated.

6.2 Operation

- Make sure that all windows and doors are closed during disinfection;
- Plug in the power cord on energy supply;
- Press the Power switch;
- Make sure there are no obstruction on the airflows (sides and front);
- The device is working.

7. Attention

- Please read the instruction manual carefully before using the device;
- The usage must be carried out in accordance with the rules stipulated in the manual;
- It is forbidden to use the device in inflammable and/or explosive places;
- Doors and windows must be closed during disinfection;
- Power must be turned off during installation and maintenance;
- It is strictly forbidden to cover or block the air inlets and outlet of the device;
- Do not insert anything into the device, as it may cause fire or electric shock;
- Do not spill liquids inside the device;
- The power should be turned off before cleaning the device;
- During maintenance or cleaning, turn off the power to avoid UV rays from puncturing the skin and eyes;
- The power supply used by this unit must be a single-phase three-core power supply with good grounding;
- To reduce the risk of electric shock, do not disassemble the unit;
- Please unplug the device from energy supply and contact your local supplier when the following occurs:

A When the power cord or plug is damaged or worn;

B If liquid is spilled into the unit;

C If the sterilizer is being exposed to rain or water;

D If the sterilizer is broken or the frame is damaged;

E If the sterilizer changes significantly in performance.

- The service life of the whole device is five years. If used for more than five years, the aging of components and power cords may cause personal safety accidents. A complete Service must be done after this period;
- Ultraviolet germicidal lamps should be used to detect the irradiance according to the time of use, and the irradiance of the radiation is $<70\mu\text{W}/\text{cm}^2$ (power $\geq 30\text{W}$). The UV germicidal lamp should be replaced regularly (lifetime more than 5000 hours).



8. Trouble Shooting

Error	Trouble Shooting
Work indicator is not lit	Check the power connection Check the fuse connection
UV light is not to working	Check Ballast working condition 2A (Φ5x20) UV-C lamp is damaged
Fan is not to working	Check the fan motor Check the fan power connection

9. Maintenance

- UV-C lamps lifetime is 5000 hours. Please replace the UVC lamp in time according to your personal disinfection plan;
- To store the device, unplug from power and cover with clean cloth;
- Cleaning must be done with soft fabric cloth and alcohol 70%;
- Always turn off the device before cleaning;
- Do not use abrasive products.

10. Warranty

This device is under warranty and free from defects in materials and workmanship, under normal use and service, for a period of 12 months from the date of invoice (excluding consumable accessories). The warranty is extended only to the original purchaser. Warranty is not valid on device which has been damaged by improper installation, improper connections, misuse, accident or abnormal conditions of operation. If the warranty has been expired, **gako** would still be responsible for repair with relative charges. **For claims under the warranty please contact your local supplier.**

11. Service

In case of any problem, you can always contact the Service Department for technical support. Please provide the customer care representative with the following information:

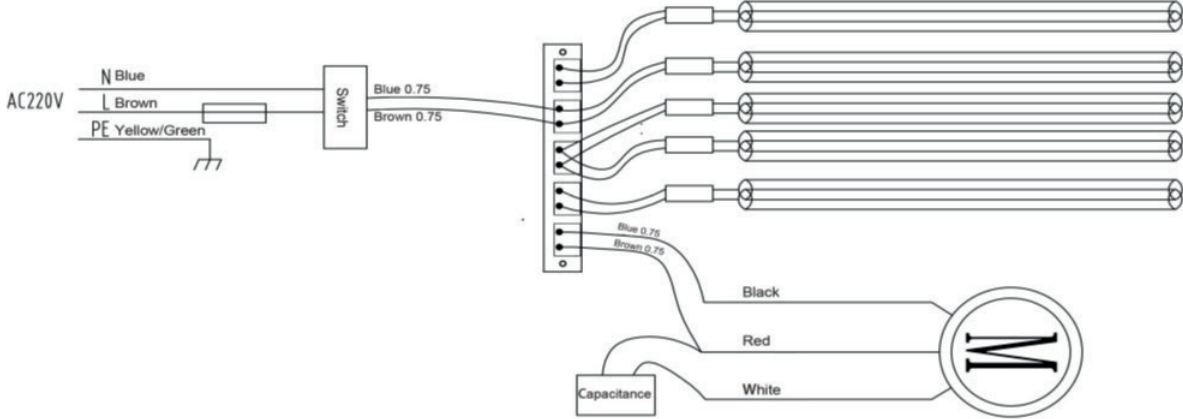
- Description of problem;
- Serial Number of the device;
- Methods and procedures adopted to solve the problem;
- Your contact information.

12. Transportation and Storage

The transportation should avoid rain, mechanical collision and mixing corrosive gas substances. The machine should be stored in a dry, well-ventilated, non-corrosive gas warehouse.



13. Circuit Diagram



Gako Deutschland GmbH
Am Steinernen Kreuz 24
D-96110 Scheßlitz
Deutschland

Tel.: +49 (0) 89 1222 38 7200
Fax: +49 (0) 89 1222 38 7201
E-Mail: contact@gako.de

